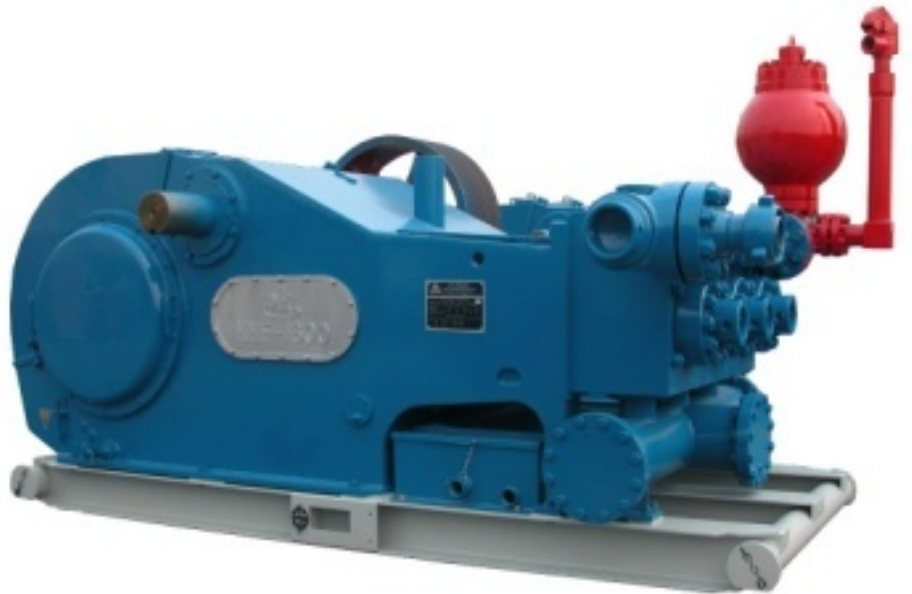




HONGHUA AMERICA, LLC

HHF-1300 Mud Pump



(832) 448.8100

www.hh-america.com



Mud Pump



HHF-1300 mud pump is a kind of F series, triplex single-acting piston mud pump. HHF-1300 mud pump is made of high quality material, according to API 7K specification.

HONGHUA Group (HH) HHF series mud pump is tough and field-proven, is specifically equipped to meet almost any customer requirement.

We have provided more than 1000 sets in the world-wide. This is backed by our warranty and field support program.

Specification

▪ Rated input power	1300HP (969 KW)
▪ Rated Stroke	120SPM
▪ Max. liner Di a.	7" (177.8 mm)
▪ Rated Stroke distance	12" (304.8 mm)
▪ Gear Ratio:	4.206: 1
▪ Suction pipe size:	12" (304.8mm), Flanged
▪ Discharge pipe size:	API 5 1/8" Flanged, 5000psi
▪ Max. discharge pressure	5000psi (34.5 Mpa)
▪ Max. discharge flow	780 gpm (49.21 L/s)
▪ Valve chamber size:	API 7 #
▪ Lubrication:	Forced and splash
▪ Discharge flow and pressure:	please reference table 1 and table 2





Table 1: Pressure parameter for mud pump HHF-1300

Diameter of Liner	7"	6 ¾"	6 ½"	6"	5 ½"	5"
Rated pressure (MPa-psi)	2786 psi 19.2 MPa	2998 psi 20.7 MPa	3232 psi 22.3 MPa	3792 psi 26.1 MPa	4516 psi 31.1 MPa	5000 psi 34.5 MPa

Table 2: Discharge parameter for mud pump HHF-1300

Stroke (spm)	Rated power		Discharge capacity GPM					
	kW	HP	7"	6 ¾"	6 ½"	6"	5 ½"	5"
130	1050	1408	780	725	672	573	481	398
120*	969*	1300*	720	669	621	529	444	367
110	889	1192	660	613	569	485	407	337
100	808	1083	600	558	517	441	370	306
90	727	975	540	502	465	397	333	275
80	646	867	480	446	414	353	296	245
70	565	758	420	390	362	308	259	214
1	-	-	6.00	5.58	5.17	4.41	3.70	3.06

Notes:

1. Calculated as per volumetric efficiency (100%) and mechanical efficiency (90%).
2. * shows rated stroke numbers while operating.





Dimension

- **Transport dimension**

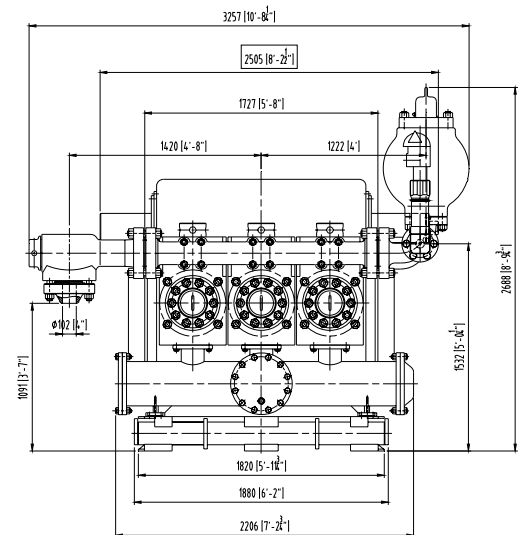
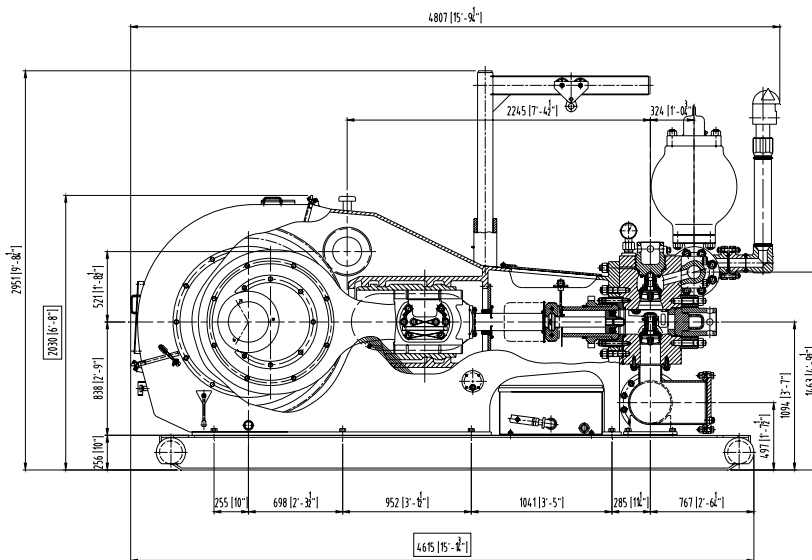
Length **15'-1 3/4" (4065mm)**

Width **8'- 2 1/2" (2505mm)**

Height **6' – 8" (2030mm)**

- **Weight (without damper)**

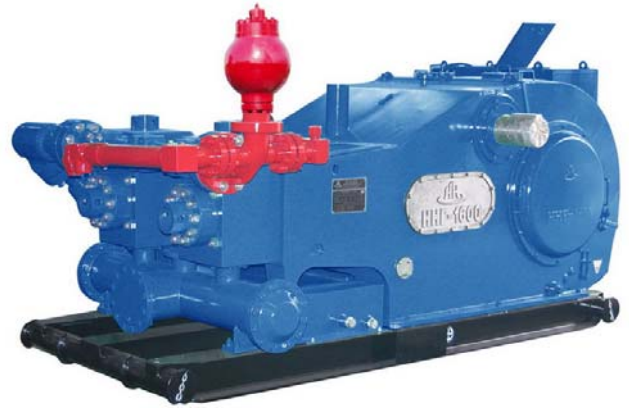
56990 lbs (25850 kg)



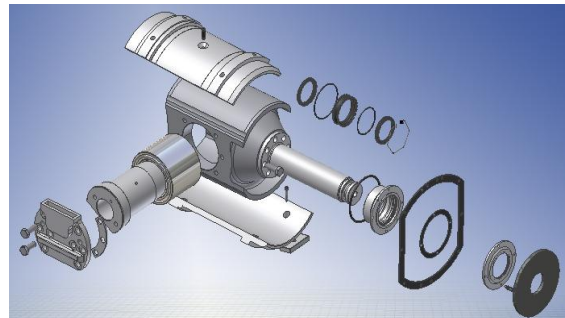


Equipment scope

- Mud pump with a liner
- Damper and safety valve
- Equipped with Hoister.
- Completed with spare parts , special tools and fits



- We also maintain spare parts for you all requirements.



Please contact us if you need more information!

Honghua, America, LLC

8300 McHard Road, Houston, TX 77053

Tel : (832) 448.8100

Fax : (832) 448.8101

E-mail: sales@hh-america.com

Website: www.hh-america.com

